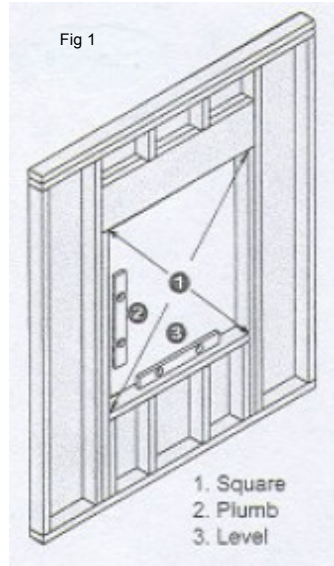


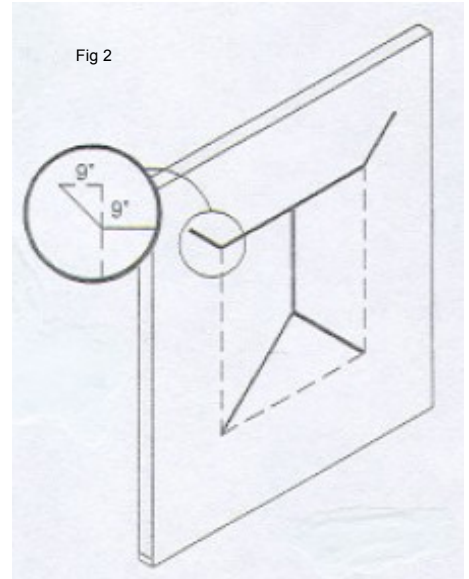


Recommendations for Installing Wood Windows with Casing (No Nailing Fins)

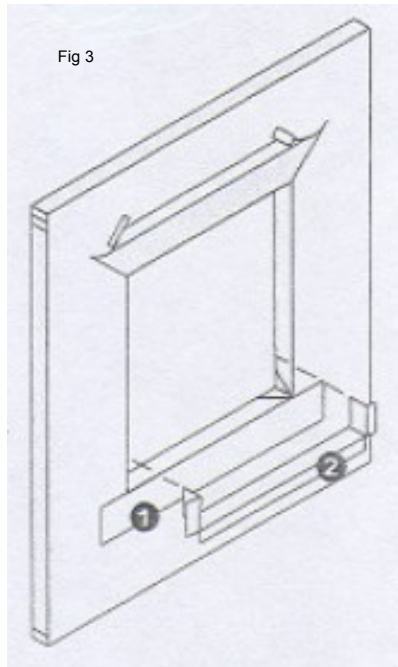
Step 1
Rough Opening (Fig 1) must be Level, Plumb and Square. Check your rough opening size with the list available on our website. *Note that house wrap must be installed prior to installation of wood windows.*



Step 2
Cut house wrap around window opening as indicated in Fig 2.



Step 3
Cut 45 degree angle in house wrap at top of opening (Fig 3). Fold flaps up and fasten with tape temporarily. See Step 7 for final disposition of these flaps. Install sill flashing tape (1). Install sill pan (2).



Step 4
Install side flashing tape, slipping top under cut in house wrap (Fig 4)

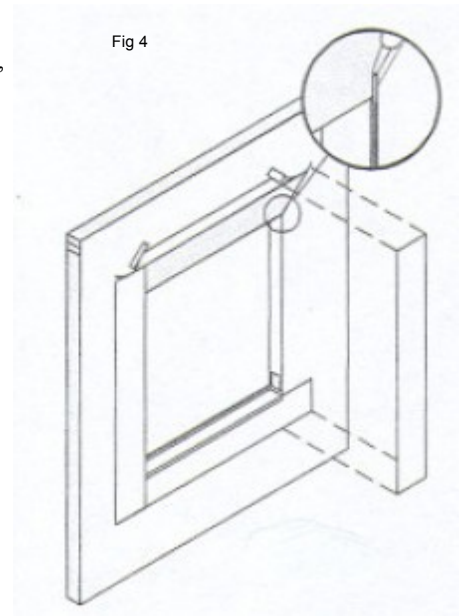
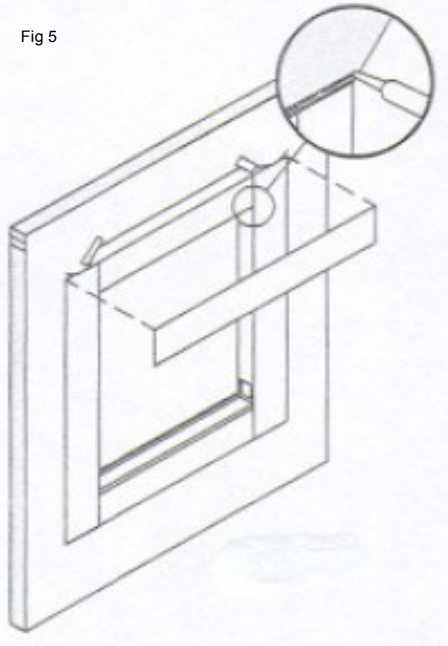


Fig 5



Step 5

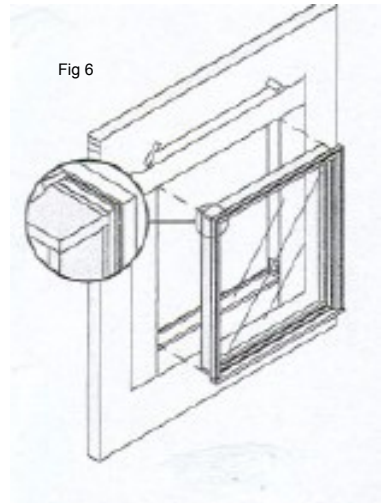
Install head flashing tape, lapping over side flashing tape. (Fig 5)

Step 6

Run a continuous bead of caulk around the back of the casing. Set window unit upon sill plate and into opening. Center unit in the opening. Casing must fit flat against wall.

Attach window in opening, checking level and plumbness, adjusting with shims at 3 equally spaced locations on each side.

Fig 6



If the unit is square, the bottom rail of the bottom sash will contact the sill evenly all the way across. Check rails will also align with each other. Unit should measure exactly the same width at top, center, and bottom.

Step 7

Remove the fastener that temporarily held up the flaps of the house wrap (Step 2) at the head. Siding installer or brick mason install rigid flashing or lintel. Allow the flap to lay flat over the flashing or lintel (Fig 7). Apply a new piece of sheathing tape over the entire diagonal cut made in the house wrap.

Fig 7

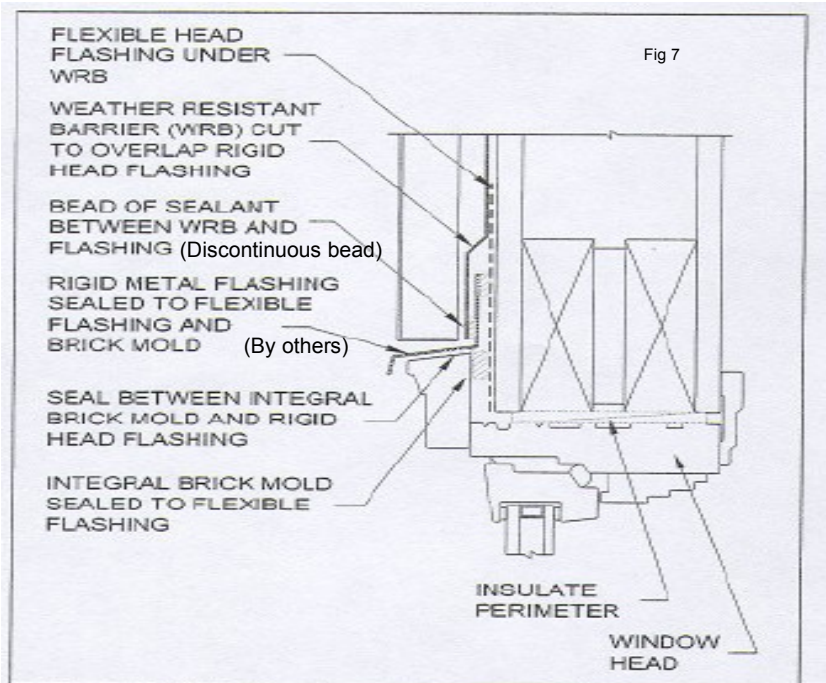


Figure 16-63 Head Detail – Membrane Drainage System (WRB Before Window)